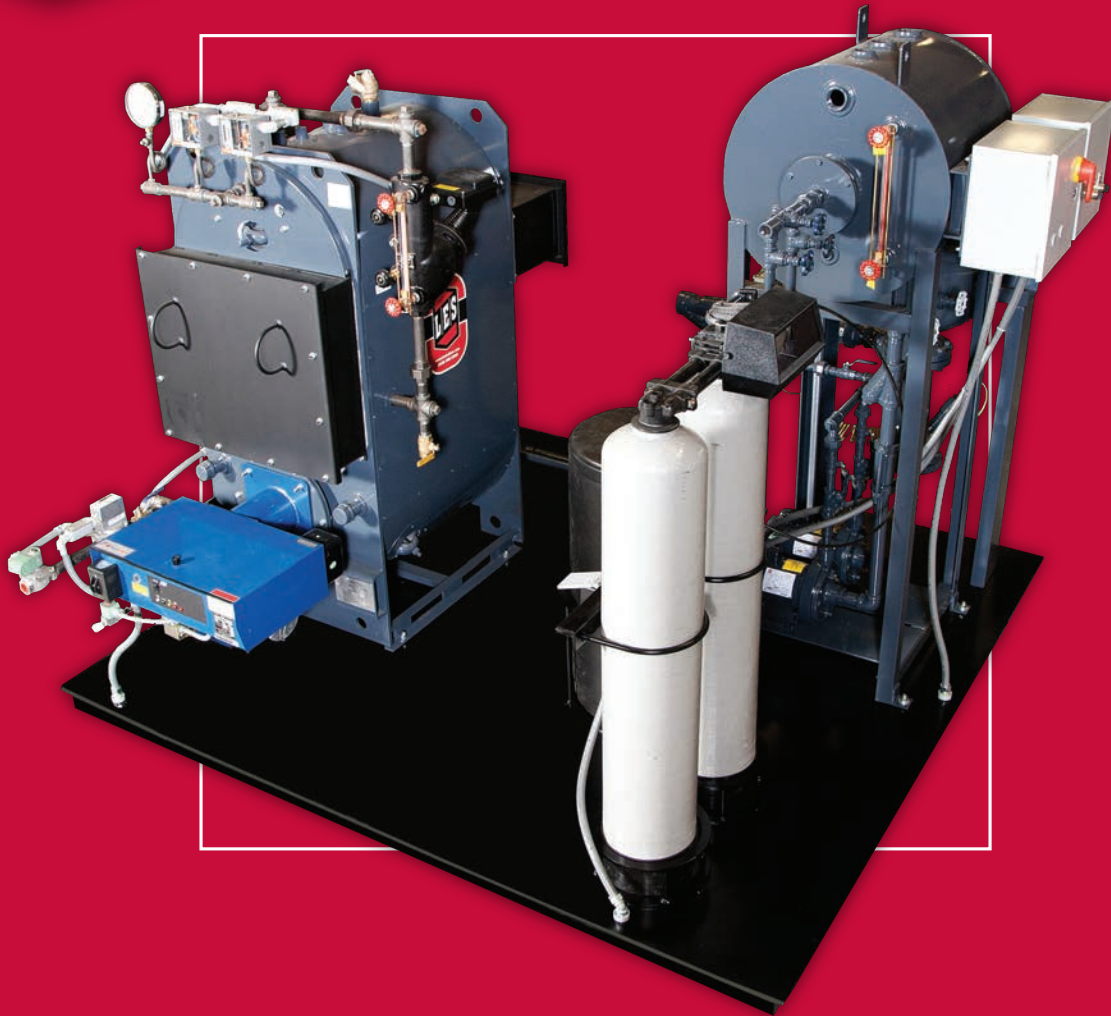




High Efficiency Boilers



Low Pressure Steam System

Boiler | Feedwater System | Water Softener | Blowdown Separator

www.lesboilers.com

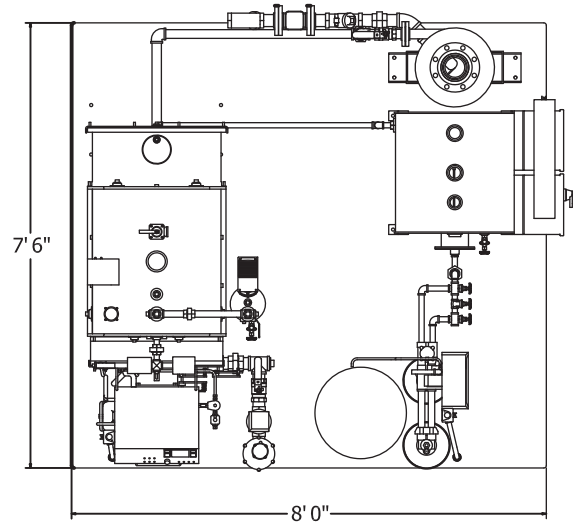


Low Pressure Steam System

- Boiler
- Feedwater System
- Water Softener
- Blowdown Separator

Components

- Low pressure steam boiler, 83% efficient
- Duplex boiler feed system
- Twin alternating water softener
- Blowdown separator with cooling package
- Single point connection for utilities:
 - Natural gas, Water, Steam, Drain, Exhaust, Vent*
 - 115 vac/1 ph/60 hz Electrical Power – Individual Component Disconnects*
- 60 AMP main panel disconnect
- Factory tested to ensure reliability
- Small Footprint – 8' L x 7.5' W



Sizing Selection Chart

Skid System	Boiler BHP	Steam Output (PPH)	Natural Gas Input (MBH)	115 VAC Electrical Requirements (Amps)	Weight Dry (lbs)	Weight Flooded (lbs)
BHS-15	15	517.5	600	60	3022	4367
BHS-20	20	690	800	60	3322	5198
BHS-30	30	1035	1200	60	3747	5872

*Contact the factory for larger sizes

Standard Features

Boiler

- ASME Section IV, National Board stamped
- UL/CSD-1 Compliant
- Reliable 'Scotch Box' design with rolled tubes
- On-off firing rate for burners

Feedwater System

- Duplex pumps
- Suction and discharge piping
- UL Panel

Custom Upgrades

- Burner firing rate (LHO, LHL, MOD)
- Surface blowdown/TDS control
- LoNOx and high turn down burners
- BMS Communications

Blowdown Separator

- ASME section VIII, National Board stamped
- Aftercooler
- Self contained cooling water control package

Water Softener

- Twin tanks
- Alternating
- Responsive design

- Steam drop header
- Steam pre-heat to boiler feed tank
- Corrosion resistant coating inside of boiler feed tank
- NEMA 4/4X rated panels



1403 SW 7th Street, Atlantic, IA 50022

712-243-5300

www.lesboilers.com